

DIGITAL



MCS 513 CHAIRMAN MICROPHONE UNIT

Order # 459.291



FEATURES

- Modern design plastic housing with non-glare, scratch-resistant Nextel® finish
- High-quality gooseneck microphone (including pop screen)
- Ring of the gooseneck illuminates to indicate the ready-to-talk status
- 3 buttons (priority, microphone, clear)
- LED to indicate microphone is switched on or off
- DIP switches for addressing and programming the microphone unit
- 15-pin Sub-D socket for the system connecting cable
- Fixed connecting cable (3 m long) with 15-pin Sub-D plug
- Mono 3.5 mm mini-jack output for the connection of recorders, dictating machines etc.

DESCRIPTION

The MCS 513 chairman's microphone unit consists of one microphone button, one priority button and one clear button in the housing. The microphone button operates normal switching on and off of the microphone. The chairman does not depend upon the limited number of open microphones (NOM). Using the priority button the chairman can intervene into the discussion and mute or clear the activated delegate microphone units depending on the system configuration. Using the clear button all activated delegate microphone units are switched off. The Ready-to-Talk status of the microphone is indicated by the illuminated red ring and the green LED in the housing. The metal base plate of the housing offers good physical isolation of the microphone unit against mechanical coupling.

ARCHITECT'S SPECIFICATIONS

Digitally controlled chairman microphone unit with three buttons for switching on or off, priority and clearing. Programmable priority function like switching on only or switching on and clearing or muting the switched on delegate microphone units. LED: green indication for microphone on. Fixed condenser gooseneck microphone (back electret) with cardioid polar pattern. Total length 400 mm and diameter 8 mm. Illuminated ring below the mic capsule to indicate the Ready-to-Talk status. 15-pin Sub-D socket. 3 m long connecting cable with 15-pin Sub-D plug. Mini jack for the connection of recorders. DIP-switches for microphone addressing. Plastic housing with charcoal-grey, non-glare and scratch-resistant Nextel® finish. Dimensions (LxWxH) 190x155x52 mm.

Manufacturer: beyerdynamic GbmH, Germany

Type: MCS 513

beyerdynamic))))

TECHNICAL SPECIFICATIONS

MCS 513 Chairman Microphone Unit

Power supply	+24 V via microphone line
Power consumption	max. 70 mA
AF-frequency response	80 Hz to 19,000 Hz
T.H.D.	≤ 1%
Signal-to-noise ratio with microphone	≥ 59 dB related to 1 Pa
AF-Output (+6 dBm)	balanced, microphone line
AF-Output (-10 dBm)	unbalanced, mini-jack (3.5 mm)
Limiter	compensates variations in speaking distance, cannot be switched off
Microphone	SHM 21/8-400 gooseneck microphone with illuminated ring, fixed 3 buttons
	1. Priority button
	2. Microphone button
	3. Clear button
1 DIP-switch (No. 6)	no function
5 DIP-switches (No. 1 to 5)	Address of the microphone units (Binary code)
Connections	1 x 3 m long cable with 15-pin Sub-D plug, microphone line 1 x 15-pin Sub-D socket, microphone line 1 x mini-jack (3.5 mm), documentation-output
Dimensions (without microphone)	Length: 190 mm Width: 155 mm Height: 52 mm
Weight (without microphone)	1390 g
Ambient temperature	0° to +50°C
Colour	Nextel®, stone grey

Microphone

Transducer type	Condenser (back electret)
Operating principle	Pressure gradient
Polar pattern	Cardioid
Max. SPL	120 dB

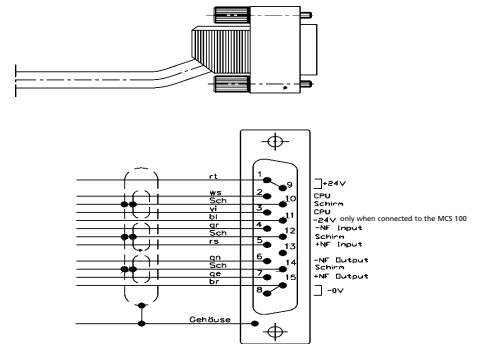
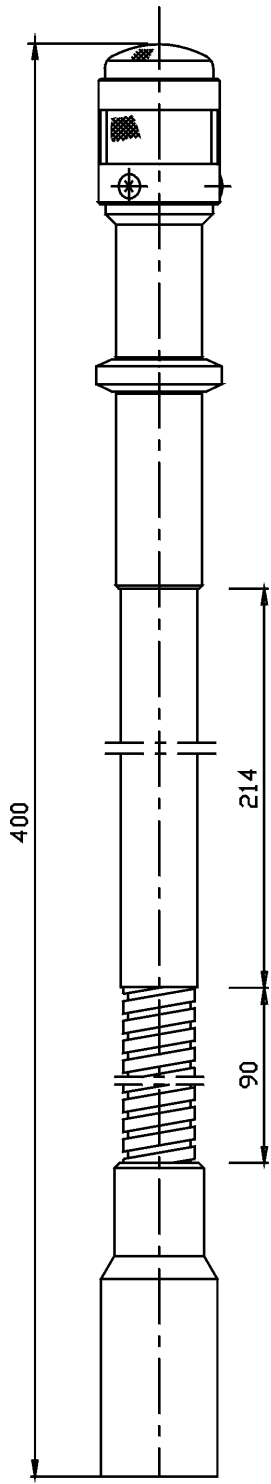
Dimensions

Length	400 mm
Head diameter	13.5 mm
Gooseneck diameter	8 mm

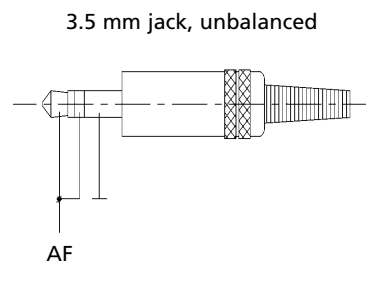
The microphone units can be manufactured in special colours and the gooseneck microphone in different lengths and versions. Delivery period, price and more information available upon request.

SHM 21 MICROPHONE

SYSTEM CONNECTION



DOCUMENTATION OUTPUT

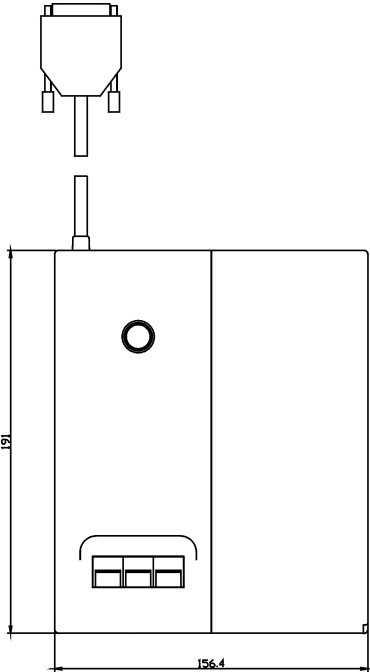


Measured in mm

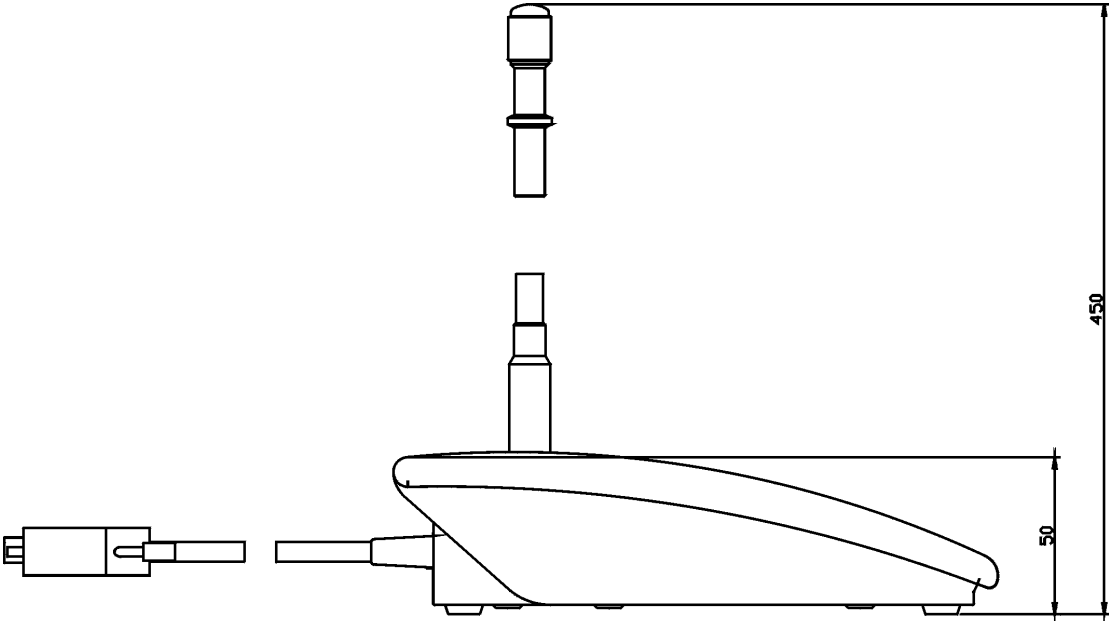


DIMENSIONS CASING

Top View

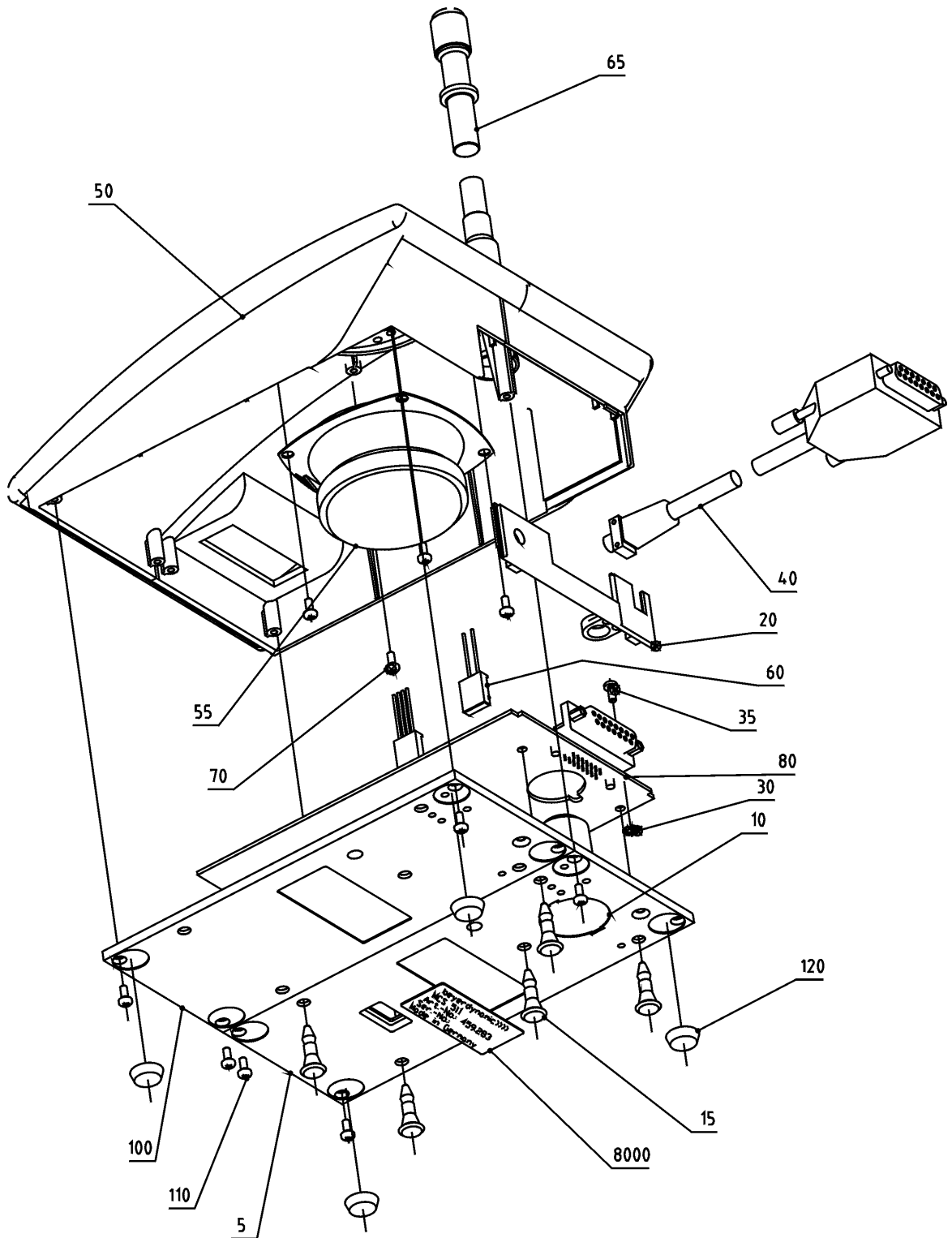


Lateral View



Measured in mm

EXPLODED VIEW



SPARE PARTS

Illu. No.	Part No.	Drawing No.	Description
5	533.807	BN 55-65/A	Bottom
10	533.815	BN 54-211/A	Shielding
15	524.719	LPR 8602-Mini 6,4 mm	Spacing piece
20	553.409	BN 56-989/A	Rear plate
30	187.135	DIN 6797-A 3,2	Studded disc
35	554.049	3 x 8 Torx	Oval head screw
40	553530	B 7-676.00-00	Connecting cable
50	553.425	BN 17-642/B	Casing (MCS 513 + MCS 523)
50	553.417	BN 17-642/A	Casing (MCS 511 + MCS 521)
55	533.904	BF-66-208 Nr. 040 66 208	Loudspeaker (MCS 521 + MCS 523)
60	551.872	B 7-655.04-00	Connecting cable
65	454.478	SHM 21-8/400-M13-GR	Gooseneck microphone
70	528.862	M 2,5x 6 Torx	Oval head screw
80	554.413	B 24-703.01-00	Base plate (MCS 511)
80	554.421	B 24-703.02-00	Base plate (MCS 513)
80	554.448	B 24-703.03-00	Base plate (MCS 521)
80	554.456	B 24-703.04-00	Base plate (MCS 523)
100	533.777	BN 55-65/B	Bottom
110	528.862	M 2,5x 6 Torx	Oval head screw
120	148.105	SJ 5012 SW	Elastic buffer
8000	324.264	50,00 x 20,00 AL-Matt	Sticker

Germany

Theresienstr. 8
74072 Heilbronn
Tel. (071 31) 6 17-0
Fax (071 31) 6 17-224
info@beyerdynamic.de
www.beyerdynamic.de

United States

56 Central Ave.
Farmingdale, NY 11735
Tel. (631) 293-3200
Fax (631) 293-3288
salesUSA@beyerdynamic.com
www.beyerdynamic.com

Great Britain

17 Albert Drive
Burgess Hill RH15 9TN
Tel. (01444) 258 258
Fax (01444) 258 444
sales@beyerdynamic.co.uk
www.beyerdynamic.co.uk