

DIGITAL



# MCS 521 DELEGATE MICROPHONE UNIT WITH LOUDSPEAKER

Order # 459.305



## FEATURES

---

- Modern design plastic housing with non-glare, scratch-resistant Nextel® finish
- High-quality gooseneck microphone (including pop screen)
- Ring of the gooseneck illuminates to indicate the Ready-to-Talk status
- Microphone button to switch the microphone unit on or off or for Request-to-Talk
- Dual colour LED to indicate the microphone on/request to talk status (red: Request-to-Talk is acknowledged; green: microphone unit is switched on and ready to talk)
- Integrated loudspeaker
- Volume control to adjust the loudspeaker's volume
- DIP switches for addressing and programming the microphone unit
- 15-pin Sub-D socket to connect the system connecting cable
- Fixed connecting cable (3 m long) with 15-pin Sub-D plug
- Mono 3.5 mm mini-jack output for the connection of recorders, dictating machines etc.

## DESCRIPTION

---

The MCS 521 delegate microphone unit consists of one microphone button in the housing with which the participant can switch on and off his microphone. An illuminated red ring below the microphone capsule and a green LED in the base indicate the ready-to-talk status of the microphone.

In the Request-to-Talk operation mode of the discussion system the microphone button serves for the request to talk. The red LED in the housing indicates the request to talk has been acknowledged. When the microphone is activated by the operator at the PC or media control system, the colour of the LED changes to green. If the microphone button is pressed once again, the delegate can clear the request-to-talk.

The integrated loudspeaker offers optimum speech intelligibility. If the participant switches on the microphone, the loudspeaker is switched off automatically. Depending on the system configuration it is possible that the loudspeakers of other, pre-defined microphone units, e.g. neighbouring microphone units, are also switched off.

The metal base plate of the housing offers good physical isolation of the microphone unit against mechanical coupling.

## ARCHITECT'S SPECIFICATIONS

---

Digitally controlled delegate microphone unit with one button for switching on or off or for request-to-talk. Dual-colour LED: green indication for microphone on and red indication for Request-to-Talk. Fixed condenser gooseneck microphone (back electret) with cardioid polar pattern. Total length 400 mm and diameter 8 mm. Illuminated ring below the mic capsule to indicate the Ready-to-Talk status. 15-pin Sub-D socket for system connecting cable. 3 m long connecting cable with 15-pin Sub-D plug. Mini-jack for the connection of recorders. Integral loudspeaker with volume control. DIP-switches for microphone address. Plastic housing with charcoal-grey, non-glare and scratch-resistant Nextel® finish. Dimensions (LxWxH) 190x155x52 mm.

Manufacturer: beyerdynamic GmbH, Germany  
Type: MCS 521

**beyerdynamic**))))

## TECHNICAL SPECIFICATIONS

---

### MCS 521 Delegate Microphone Unit

Power supply	+24 V, microphone line
Power consumption	max. 100 mA
AF-frequency response	80 Hz to 19,000 Hz
T.H.D.	≤ 1%
Signal-to-noise ratio with microphone	≥ 59 dB related to 1 Pa
AF-Output (+6 dBm)	balanced, microphone line
AF-Output (-10 dBm)	unbalanced, mini-jack (3.5 mm)
Limiter	compensates variations in speaking distance, cannot be switched off
Microphone	SHM 21/8-400 gooseneck microphone with illuminated ring, fixed
Loudspeakers	wide-band, integrated loudspeaker
Volume control for loudspeaker-output	0 dB to -20 dB
1 button	Microphone-button
1 DIP-switch (No. 6)	no function
5 DIP-switches (No. 1 to 5)	Address of the microphone units (Binary code)
Connections	1 x 3 m long cable with 15-pin Sub-D plug, microphone line 1 x 15-pin Sub-D socket, microphone line 1 x mini-jack (3.5 mm), documentation-output
Dimensions (without microphone)	Length: 190 mm Width: 155 mm Height: 52 mm
Weight (without microphone)	1500 g
Ambient temperature	0° to +50°C
Colour	Nextel®, stone grey

#### Microphone

Transducer type	Condenser (back electret)
Operating principle	Pressure gradient
Polar pattern	Cardioid
Max. SPL	120 dB

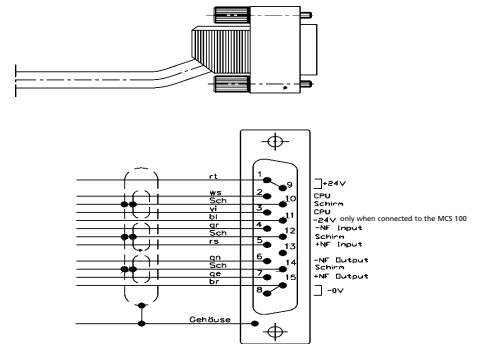
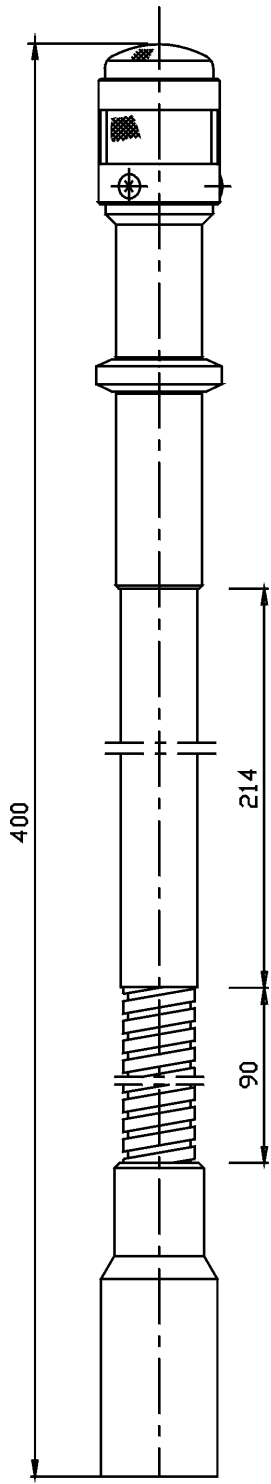
#### Dimensions

Length	400 mm
Head diameter	13.5 mm
Gooseneck diameter	8 mm

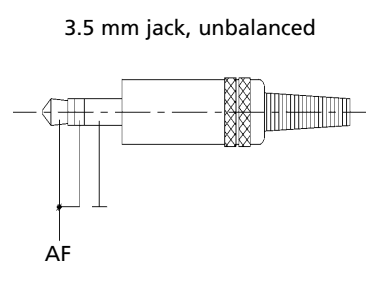
The microphone units can be manufactured in special colours and the gooseneck microphone in different lengths and versions. Delivery period, price and more information available upon request.

# SHM 21 MICROPHONE

# SYSTEM CONNECTION



# DOCUMENTATION OUTPUT



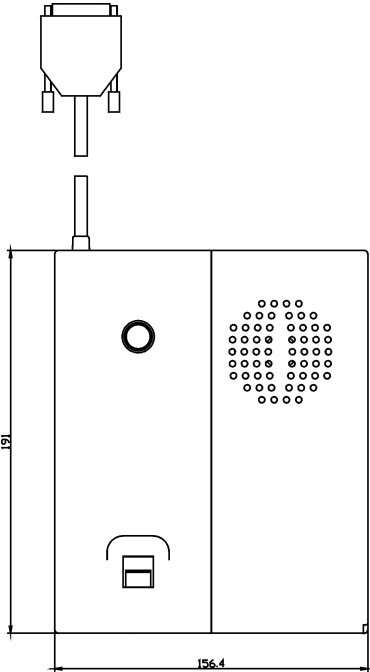
Measured in mm



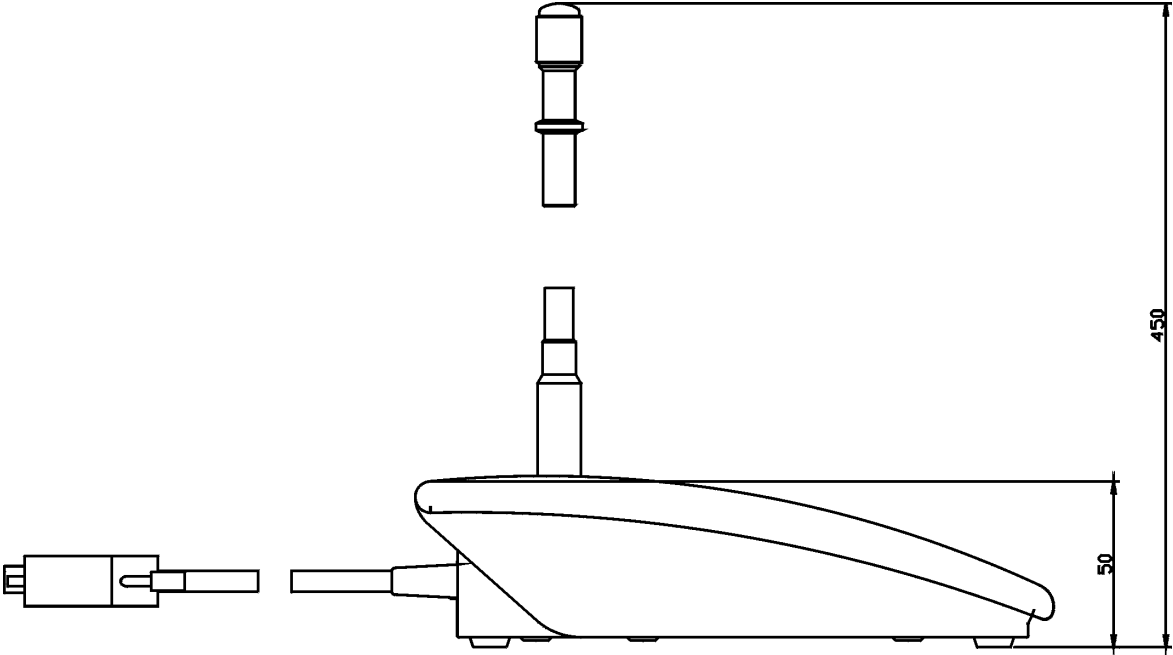
**DIMENSIONS CASING**

---

**Top View**

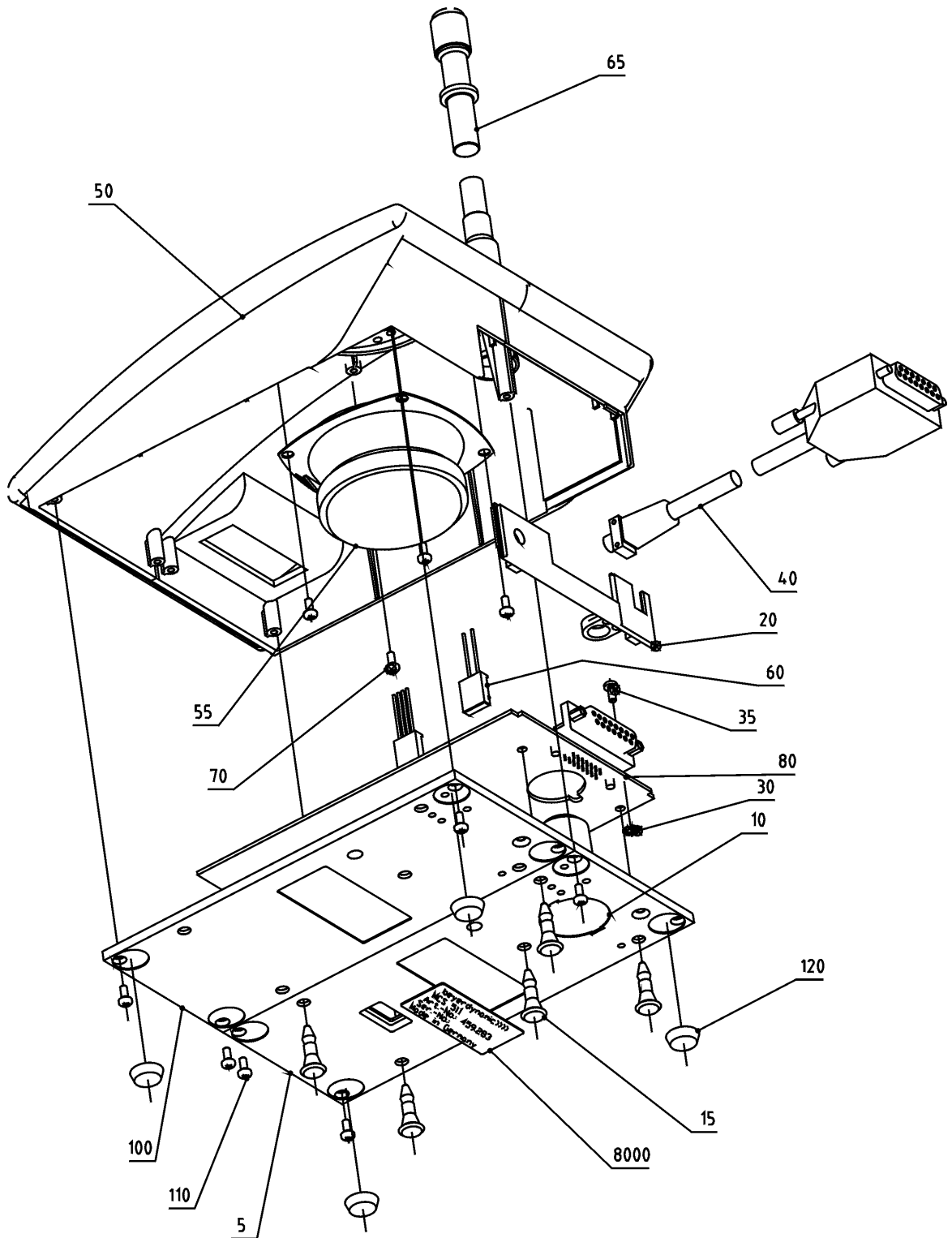


**Lateral View**



Measured in mm

**EXPLODED VIEW**



## SPARE PARTS

---

<b>Illu. No.</b>	<b>Part No.</b>	<b>Drawing No.</b>	<b>Description</b>
5	533.807	BN 55-65/A	Bottom
10	533.815	BN 54-211/A	Shielding
15	524.719	LPR 8602-Mini 6,4 mm	Spacing piece
20	553.409	BN 56-989/A	Rear plate
30	187.135	DIN 6797-A 3,2	Studded disc
35	554.049	3 x 8 Torx	Oval head screw
40	553530	B 7-676.00-00	Connecting cable
50	553.425	BN 17-642/B	Casing (MCS 513 + MCS 523)
50	553.417	BN 17-642/A	Casing (MCS 511 + MCS 521)
55	533.904	BF-66-208 Nr. 040 66 208	Loudspeaker (MCS 521 + MCS 523)
60	551.872	B 7-655.04-00	Connecting cable
65	454.478	SHM 21-8/400-M13-GR	Gooseneck microphone
70	528.862	M 2,5x 6 Torx	Oval head screw
80	554.413	B 24-703.01-00	Base plate (MCS 511)
80	554.421	B 24-703.02-00	Base plate (MCS 513)
80	554.448	B 24-703.03-00	Base plate (MCS 521)
80	554.456	B 24-703.04-00	Base plate (MCS 523)
100	533.777	BN 55-65/B	Bottom
110	528.862	M 2,5x 6 Torx	Oval head screw
120	148.105	SJ 5012 SW	Elastic buffer
8000	324.264	50,00 x 20,00 AL-Matt	Sticker

### Germany

Theresienstr. 8  
74072 Heilbronn  
Tel. (071 31) 6 17-0  
Fax (071 31) 6 17-224  
info@beyerdynamic.de  
www.beyerdynamic.de

### United States

56 Central Ave.  
Farmingdale, NY 11735  
Tel. (631) 293-3200  
Fax (631) 293-3288  
salesUSA@beyerdynamic.com  
www.beyerdynamic.com

### Great Britain

17 Albert Drive  
Burgess Hill RH15 9TN  
Tel. (01444) 258 258  
Fax (01444) 258 444  
sales@beyerdynamic.co.uk  
www.beyerdynamic.co.uk