



ISO 9001 Certified

DNH AS

**N-3770 Kragerø
NORWAY**

Phone: (47) 35 98 56 00
Fax: (47) 35 98 56 10
E-mail: dnh@dnh.no
Web-site: www.dnh.no

**DNH WW Ltd.
England**

Phone:
Fax:
E-mail:

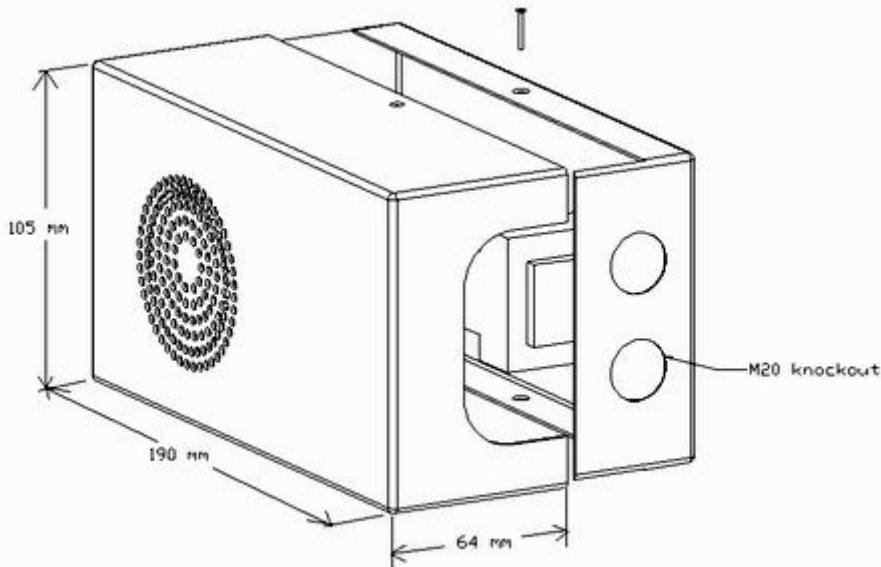
(44) 1908 275 000
(44) 1908 275 100
dnh@dnh.co.uk

**DNH GmbH
Germany**

Phone:
Fax:
E-mail:

(49) 0406569 30-0
(49) 040 6569 30-30
dnh@dnh.de

SAFE-66(T)



100 V transformer with
temp. fuse

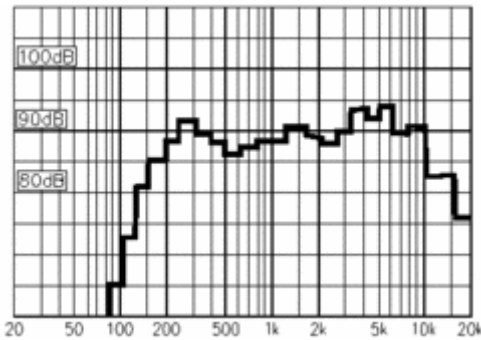
Primary connection:
5 : 8 100 V

Secondary nominal tapings:

1 : 4	6,0 W
1 : 3	3,0 W
2 : 4	2,0 W
1 : 2	1,5 W
3 : 4	0,8 W
2 : 3	0,5 W

Acc. British Standard 5839

1W/1m Pink Noise 1/3 octave bands



Material/Colour

Steel/ White Ral 9010

Mounting

Two screws

Termination

Ceramic terminals

Weight

1.2 kg

IP-rating (UL Equivalent)

0

Max. / min. amb. temp

90°C / -20 °C

Rated / max. power

6W / 6 W

SPL 1W/1m

90 db

SPL rated power

97 db

Effective freq. range

160- 16000 Hz

Dispersion (-6dB) 1kHz / 4kHz

185° / 105°

Directivity factor, Q

Options

Installation, Operation and Maintenance Procedures

- When mounting the loudspeaker please ensure that it is re-assembled in the same manner in which it was received.
- For optimum performance, always use the correct voltage / power and operate within the frequency limits as stated.
- Do not open loudspeaker when energized.
- This loudspeaker is supplied with a 2 year warranty against defective workmanship.

Most of our products are available in different colours, impedances and power ratings.

